
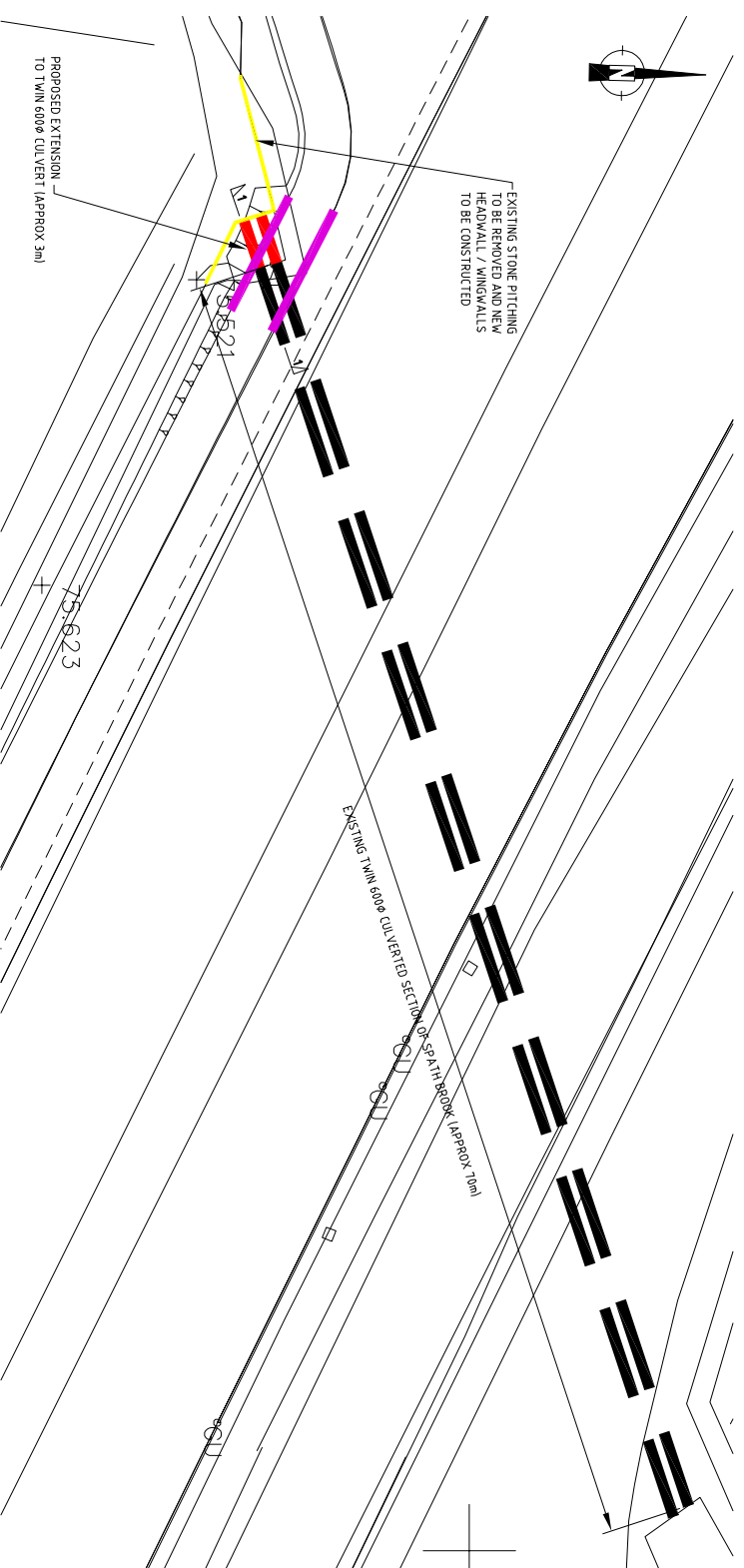


This map is reproduced from Ordnance Survey material with the permission of Ordnance Survey on behalf of the Controller of Her Majesty's Stationery Office © Crown copyright/Unauthorised reproduction infringes Crown copyright and may lead to prosecution or civil proceedings. Stockport Metropolitan Borough Council 100019571 2010

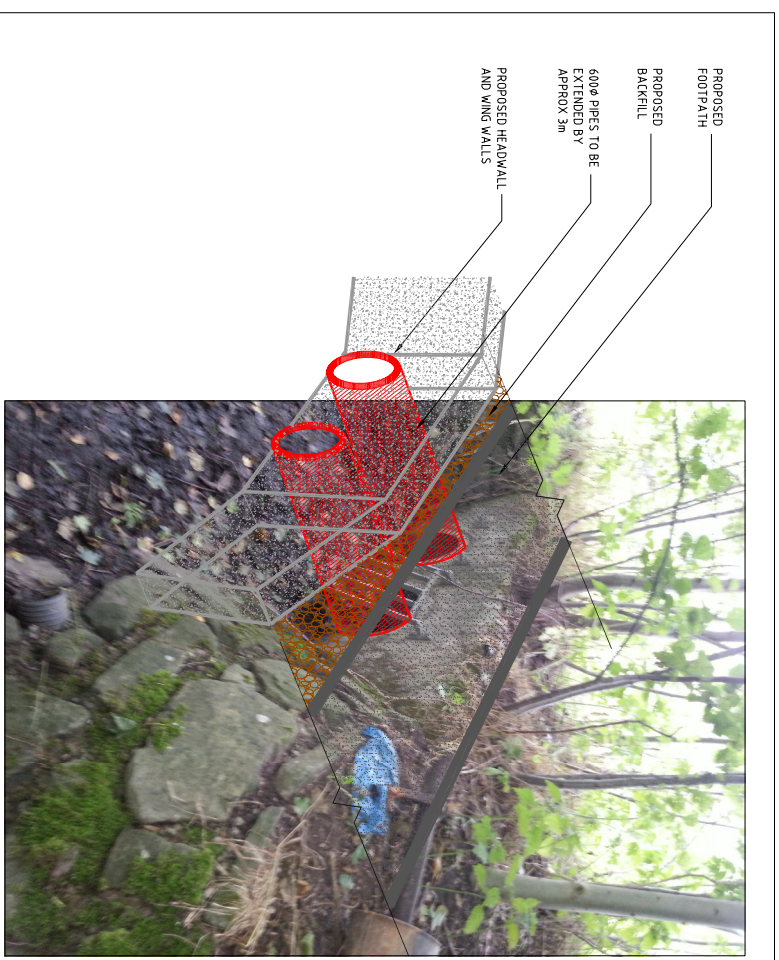
NOTES

1. THIS DRAWING HAS BEEN PRODUCED MANUALLY FOR THE PURPOSE OF PRELIMINARY DESIGN.
2. LEVELS ARE IN METRES AND ABOVE ORDNANCE DATUM.
3. ALL DIMENSIONS ARE IN MILLIMETRES.
4. THE OPTION SHOWN IN THIS DRAWING IS NOT FOR CONSTRUCTION.
5. BASIC PRELIMINARY DESIGN HAS BEEN UNDERTAKEN TO DETERMINE THE GEOMETRY OF THE SECTION SIZES AS PER CLIENT'S INSTRUCTION.
6. THIS DRAWING HAS BEEN PRODUCED BASED ON THE LATEST MX HIGHWAY MODEL - GRAFT DESIGN FREEZE 7 AS PROVIDED BY THE CLIENT.

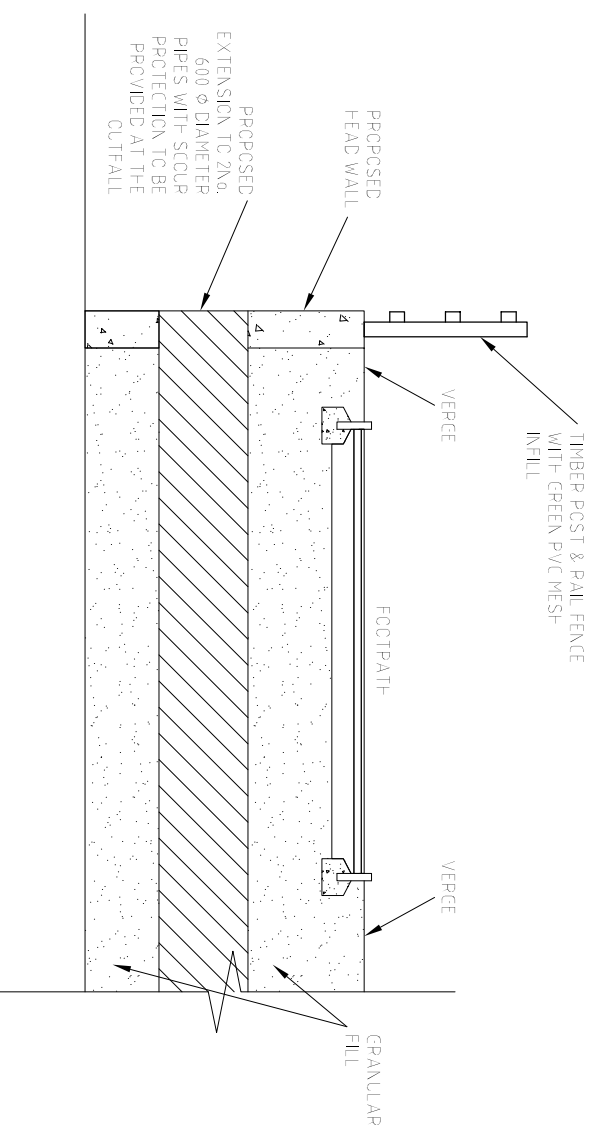
KEY
 MAIN RIVER



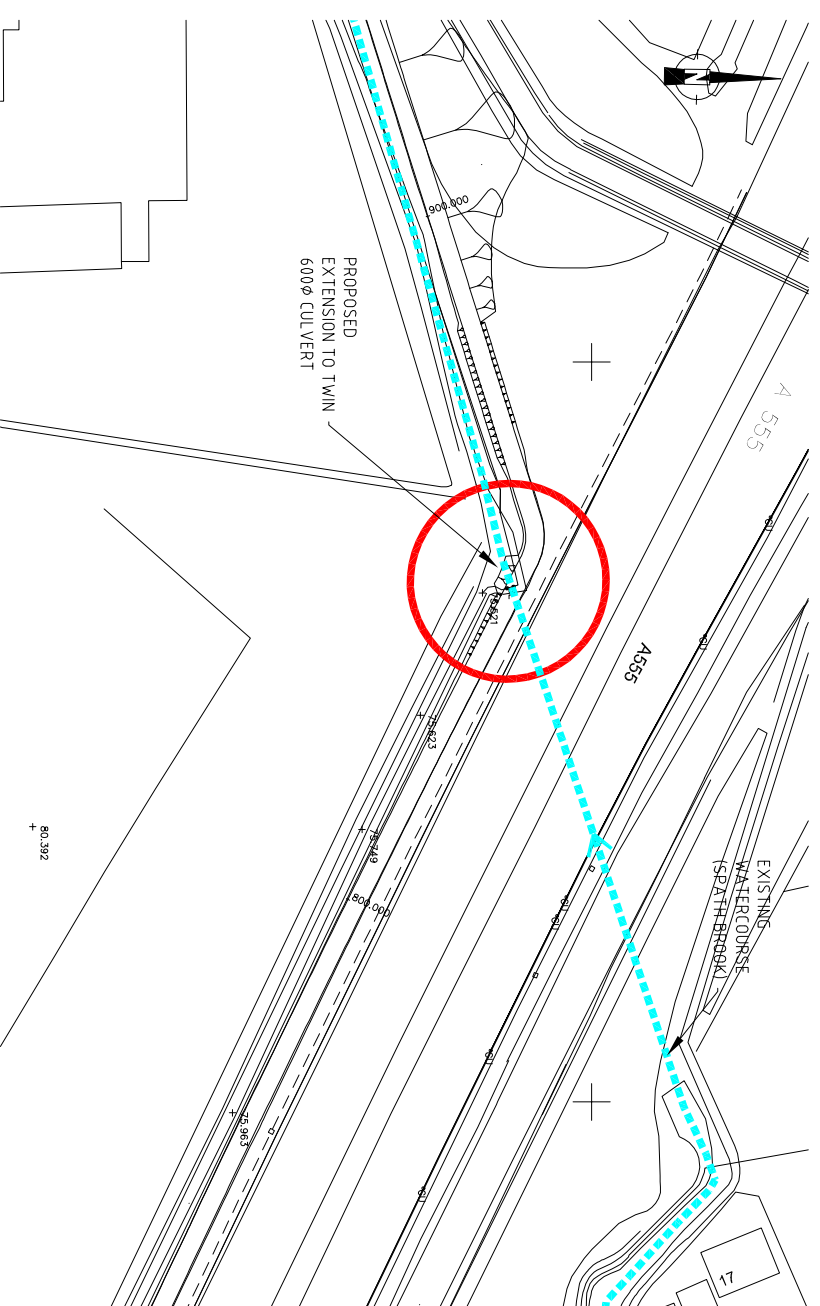
PLAN
SCALE: 1:200



3D VISUALISATION
SCALE: (NOT TO SCALE)



SECTION 1-1
SCALE: 1:25



LOCATION PLAN
SCALE: 1:500

Rev.	Drawn	Checked	Date	Revision Details
1	HB	JW	13/09/13	ISSUED FOR PLANNING
2	HB	JW	28/08/13	FIRST ISSUE FOR CLIENT COMMENTS

semms
 STOCKPORT
 SOUTH EAST MANCHESTER METRO MODEL STRATEGY
 CHURCH LANE
 MANCHESTER
 M20 2RN

A6 TO MANCHESTER AIRPORT RELIEF ROAD
 Job Title
 Jim Mahonon Bsc, CEng, MICE
 SENIOR DESIGN MANAGER
 FRED NEWBY MODEL C/O STOCKPORT METRO
 MANCHESTER, STOCKPORT, TAMESIDE, TRAFALGAR, T.A. : 0918

TR1-12 SPATH BROOK TWIN CULVERT EXTENSION
 Drawing Title

Drawn	Engineer	Checked	Approved
DB	JW	ME	NS
Date	Date	Date	Date
03.09.13	03.09.13		
Size	Scale	AS SHOWN	
A1			
SCD No.	Filename		
Drawing No.	Revision		
1007/3D/DF7/A6-MA/TR1-12/701	A		